

Fostex®

LOW LEAKAGE FLUX TYPE FULL RANGE
SPEAKER UNIT

FE207E

Features

- 'ES cone' paper made of banana plant's fiber
- Ferrite magnet
- Repulsion type magnetically shielded circuit
- Newly designed center cap



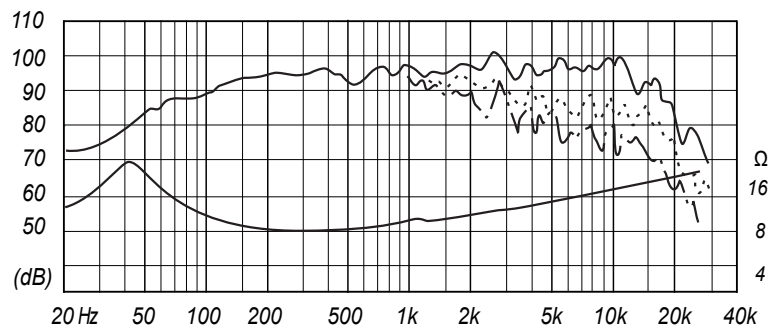
Specifications

&

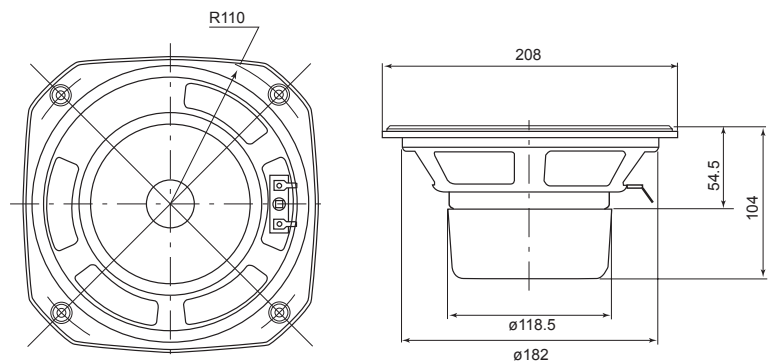
Thiele/Small Parameters

Size	:	200 mm / 8 in
Voice Coil Diameter	:	35 mm / 1.4 in
Cast / Stamped	:	Stamped
Impedance	:	8 Ω
Reproduction Frequency Response	:	f0 - 20 kHz
Sound Pressure Level	:	95 dB/W(m)
Rated Input	:	30 W
Music Power	:	90 W
Magnet Material	:	Ferrite
Magnet Weight	:	
(main)	:	337.0 g / 0.743 lb
(cancel)	:	329.9 g / 0.727 lb
Net Weight	:	2,650 g / 5.842 lb

Frequency Response / Impedance



Dimensions & Mounting Information

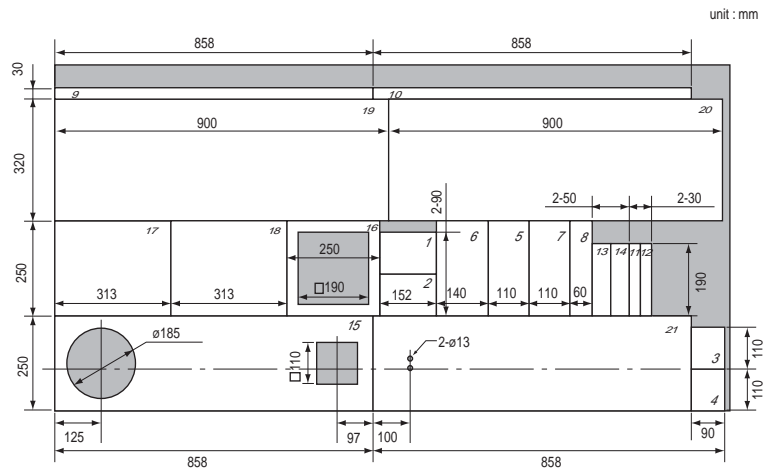
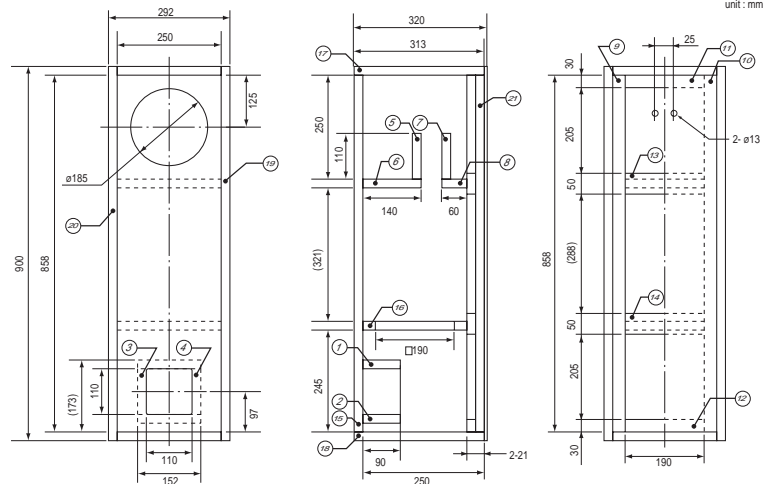


a	:	81 mm
D	:	162 mm
Sd	:	0.02061 m ²
Zn	:	8 Ω
Fs	:	39 Hz
Re	:	6.73 Ω
Le	:	n/amH
Qms	:	3.86
Qes	:	0.28
Qts	:	0.26
Mms	:	15.02 g
BL	:	9.41 Telsa/m
Vas	:	56.25 L
Xmax	:	1.5 mm
Eff/η0	:	1.17 %
Cms	:	0.00094 mm/N
EBP	:	139

Overall Diameter	:	208 mm / 8 in
Baffle Hole Diameter	:	118.5 mm / 4.67 in
Depth	:	104 mm / 4 in

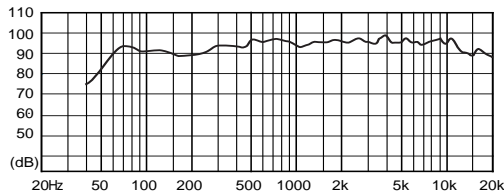
FE207E

Recommended Double Bass Reflex Type Enclosure

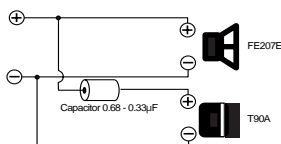


- This is an example of a FE207E double bass reflex type enclosure.
- The multi bass reflex ducts (ports) reproduce lower frequency.
- Balanced low frequency tuning for high power handling.

Frequency Response



- Substantial low frequency response in the 60 to 80Hz region.
- Two way system using super tweeter is also recommended.
- 21mm thick plywood was used for the tested enclosure.



Recommended Standard Bass Reflex Type Enclosure

Example of FE207E standard bass reflex type enclosure. This enclosure is 35 liters volume. Various dimensions can be tried as long as internal volume remains the same.

